

PRODUCT VISUALIZATION with SPINFIRE™



GAIN INSIGHT FROM YOUR PRODUCT DATA



With SpinFire, you save time AND money.

SpinFire™ products condense all the data representing all aspects of a product across an entire enterprise including definition, cost, warranty etc., into a very compact, lightweight format that can be used for viewing, measuring, markup, repurposing and other investigative functions.

SpinFire™ accommodates the needs of an organization regardless of its size — from one to five people, or hundreds of users. Gaining insight to product data means being able to see the design, have the ability to analyze and communicate based on that data internally and externally.

The solutions experienced by manufacturers as a result of insight gained from SpinFire™ include:

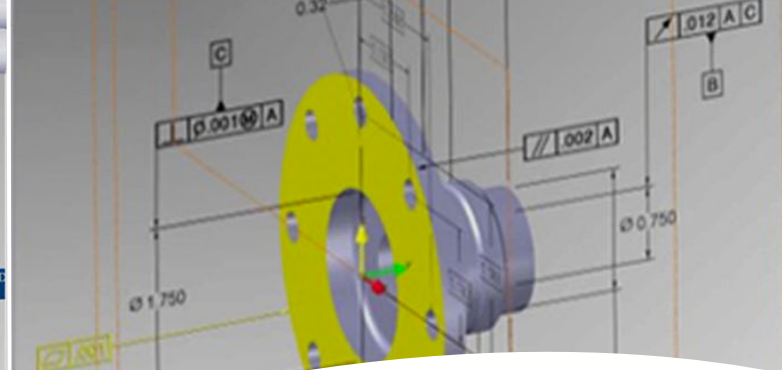
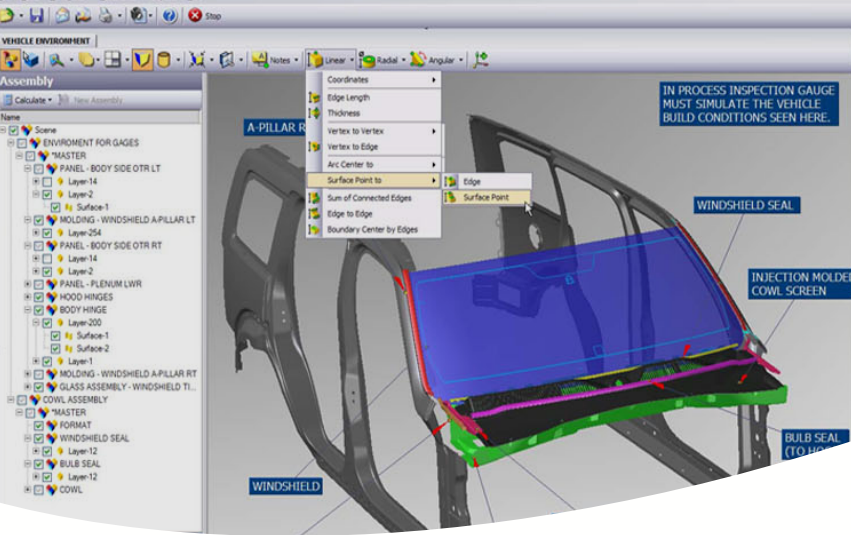
- Cost saving on expensive CAD licenses.
- Shortened design cycles and reduced production costs.
- Distribution and collaboration on design data easily and accurately.
- Save money and time by being able to perform native CAD to CAD translation.
- Measurement and mark-up beyond engineering.
- Working easily with product data, without in-depth knowledge of expensive, confusing CAD software.
- Access 3D model properties and attributes without the native CAD application.



Easily access native CAD files...without a CAD System!



PRODUCT DATA INTELLIGENCE



PRODUCT VISUALIZATION FOR MANUFACTURERS

Actify Inc is the largest independent company providing product visualization for manufacturers. Since 1996, SpinFire™ has enabled manufacturers to address the constant challenge of process improvement and cost reduction, without any sacrifice of product quality. Independence allows us to be flexible and entrepreneurial enough to work with specific customer needs.

SpinFire™ has enabled manufacturers to gain a competitive edge with the provision of product visualization features such as:

	MULTI-CAD SUPPORT & 3D/2D VIEWING	Easily access, interact with, and communicate part data plus related files and documentation. All major 3D and 2D CAD data formats allowed.
	MEASURE & MARK-UP	Use a single software solution that enables you to view, measure, mark-up and share 2D and 3D CAD data formats within one easy-to access file.
	INVESTIGATE MODELS	Easily analyze 3D data generating desired results, such as volume, mass, total surface area, draft angle, bounding box, tube length, and more.
	COMBINE MODELS	Combine assemblies from different CAD applications with ease. Obtain part properties that have been designed into the 3D Model and export to an external file.
	SHARE RESULTS	Streamline the communication of CAD files and related documents, enabling anyone to share designs and feedback.
	3D CAD to CAD TRANSLATION	Actify's 3D CAD2CAD Translator enables multi-CAD data exchange support for manufacturers.
	SUPPORTED CAD IMPORT	Actify's CAD Importers allow you to access all popular native CAD files without the use of a CAD system.

All Actify applications can be mixed and matched to suit individual needs, so that customers are not forced to choose between applications.

WEB VIEWER—ZERO DOWNLOAD

Do you have users across the organization with different viewing needs? Has your team needed the ability to communicate model and drawing information to individuals without the end-user downloading any software?

Have you thought about hosting your 3D data in a



Cloud environment? SpinFire Web securely accesses 3D data via a web-browser and keeps the CAD file local to your server or in the cloud, enabling collaboration yet maintaining control of the file. Available as an add-on offering to Centro Catalog, Actify's SpinFire Web viewer is a light-weight version of SpinFire's powerful desktop applications that your business can host, so internal or external personnel can access CAD data and perform view, measure and markup without running software locally.



THE PRODUCT DATA INTELLIGENCE COMPANY

Actify, Inc. is all about extracting information from multiple data sources and presenting them in an easy to understand cost-effective manner. We provide Product Data Intelligence which generates insight to allow you to make smarter, faster decisions which affect the bottom line.